



ENGLISH



PELLERI

Since 1977

OFFICINA MECCANICA



OUR MACHINES

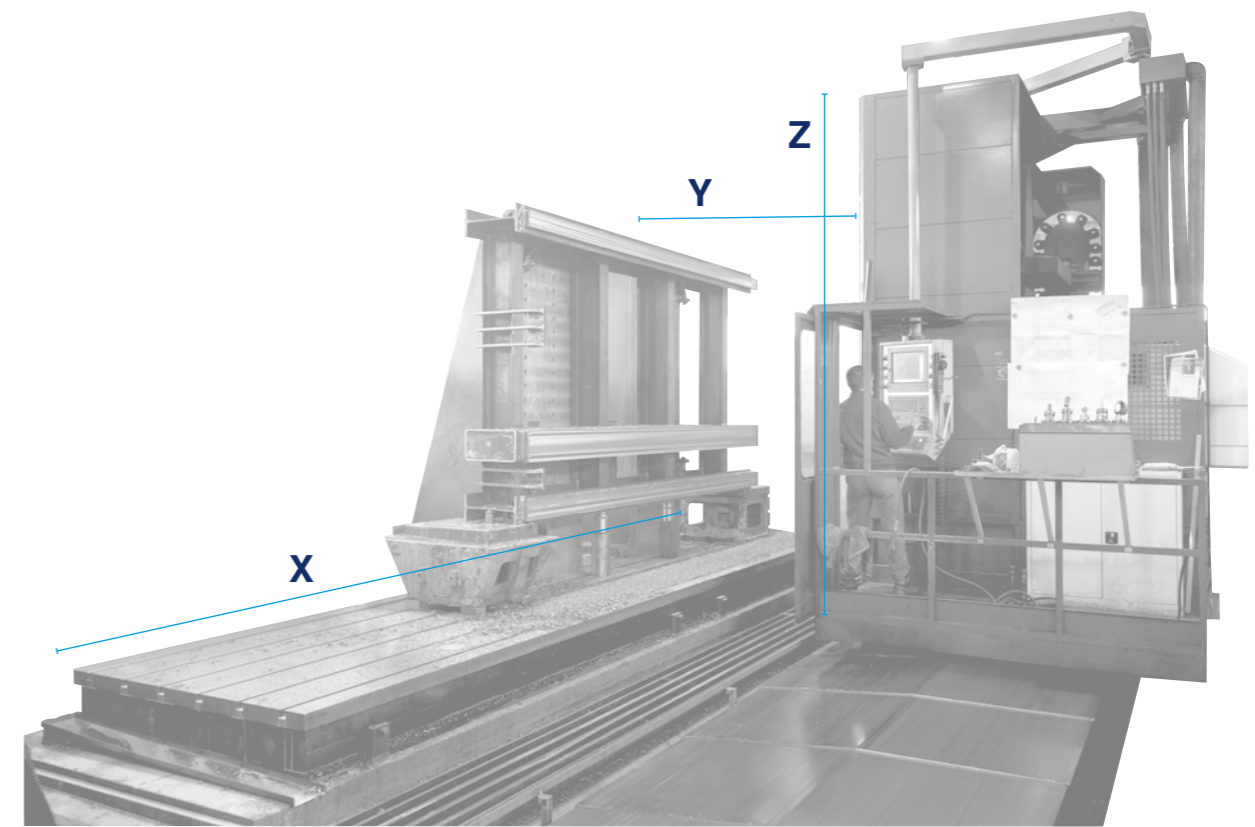
Precision
mechanical machining

Data sheets



Mod.PX120 Milling Centre

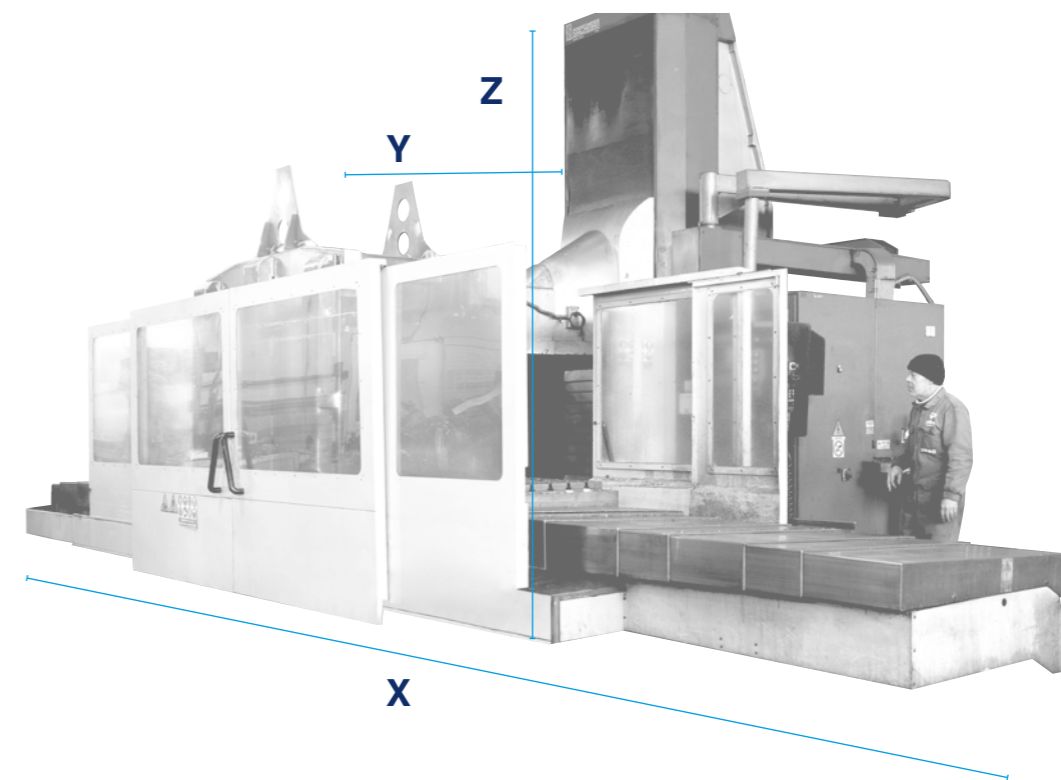
Height	"Z"	2500
Width	"Y"	1200
Length	"X"	6000





Mod. T314 Milling Centre

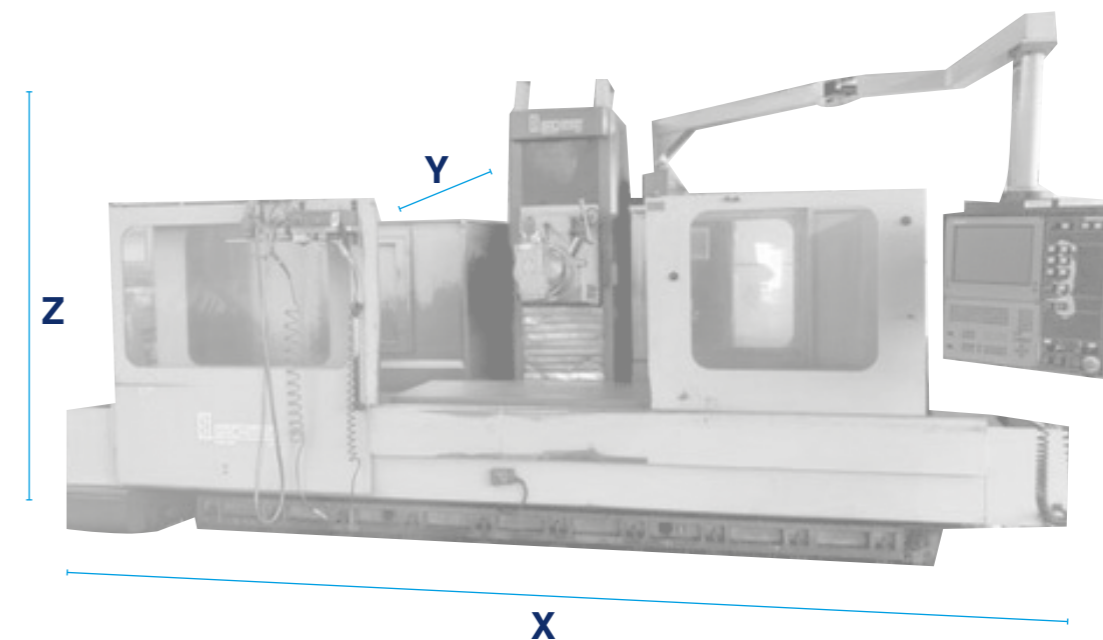
Height	"Z"	1900
Width	"Y"	1200
Length	"X"	3500

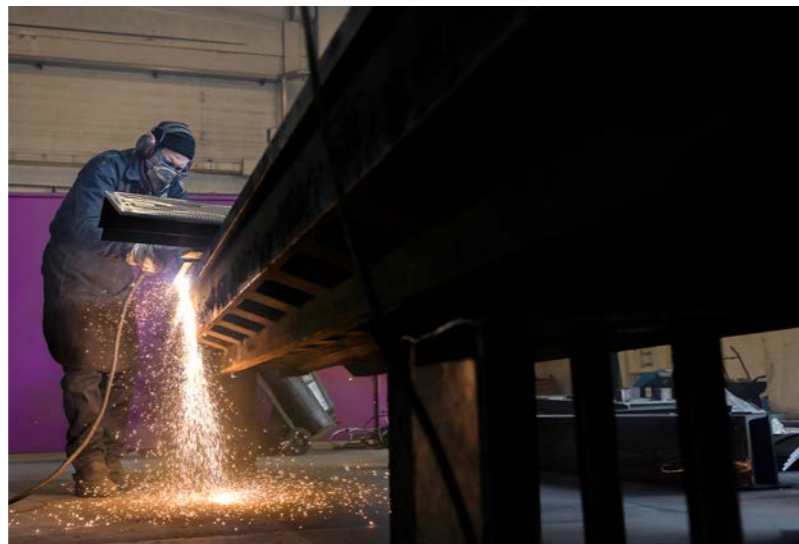




Mod.T10GP Milling Centre

Height	"Z"	900
Width	"Y"	1000
Length	"X"	2000





our precision machines includes:

- No.8 Kemppi Welding Machines
- No.1 Turntable Positioner Mod. Pta 1200
- No.1 CBC Slitter Shear thickness 20 mm
- No.2 Manual Plasma Jet Cutting Machines
- No.1 Imet Sawing Machine Maximum Shear D.250 mm
- No.1 Fento Belt Driven Hacksaw Maximum Shear D.500 mm
- No.1 Mt400 Hydraulic Press
- No.1 Press Brake 3000 Max. Thickness 6
- No.1 Punching Machine
- No.1 Radial Drilling Machine D.100
- No.1 Column Drilling Machine
- No.1 Turning Machine Max. D.300 Length1500
- No.3 10 ton Overhead Cranes
- No.1 30 ton Overhead Cranes
- No.1 16 ton Overhead Cranes
- No.1 3.2 ton Overhead Cranes



www.meccanicapelleri.it

Where we are

Via Chico Mendez, 5
25030 Erbusco
Brescia - Italy

Contacts

+39 030 772 2992
info@pelleri.it